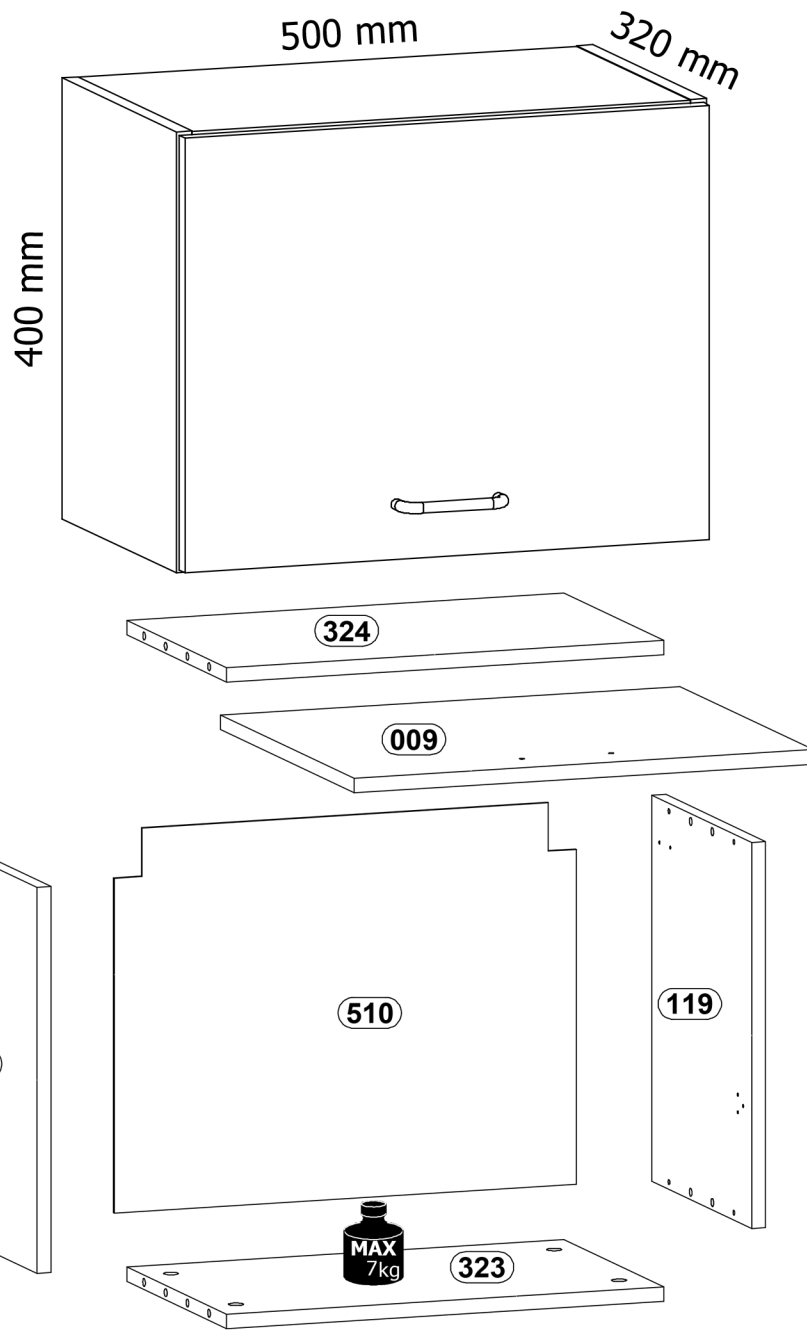

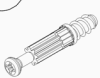





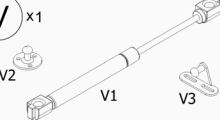




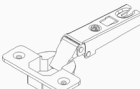
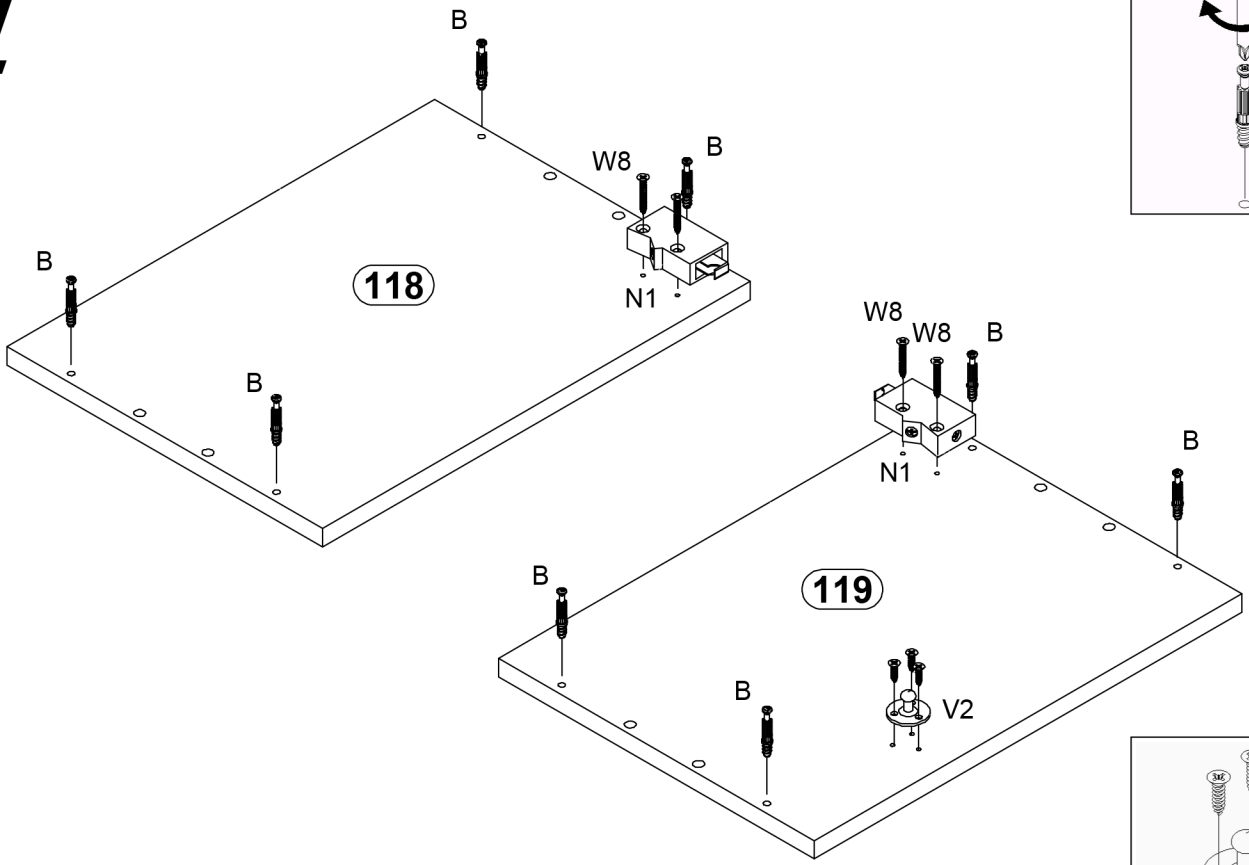


G50K

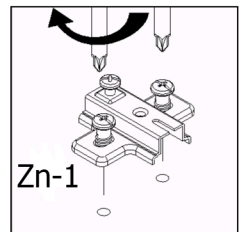
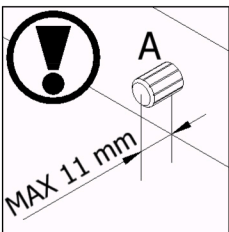
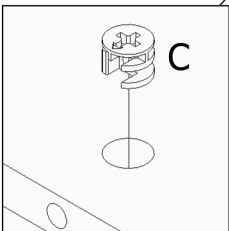
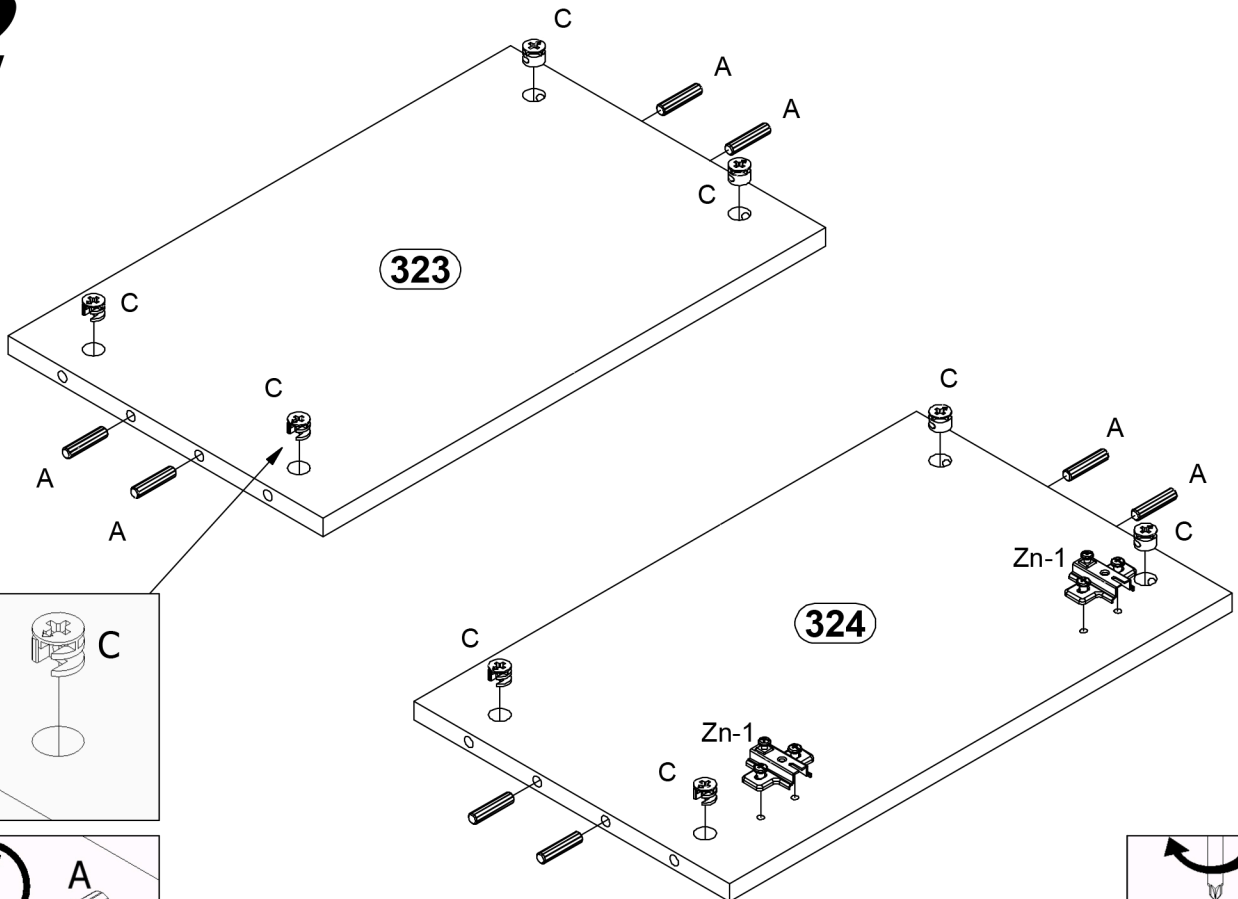


A x8  Ø8x35mm	B x8  Ø15x12mm	C x8  Ø15x12mm	G x18 
M x1 	N1 x2 	N2 x2 	
V x1  V2 V1 V3	W2 x4  Ø3,5x16mm	W8 x4  Ø4x30mm	
Y x8  Ø18 mm	Zn x2  Zn-1  Zn-2		

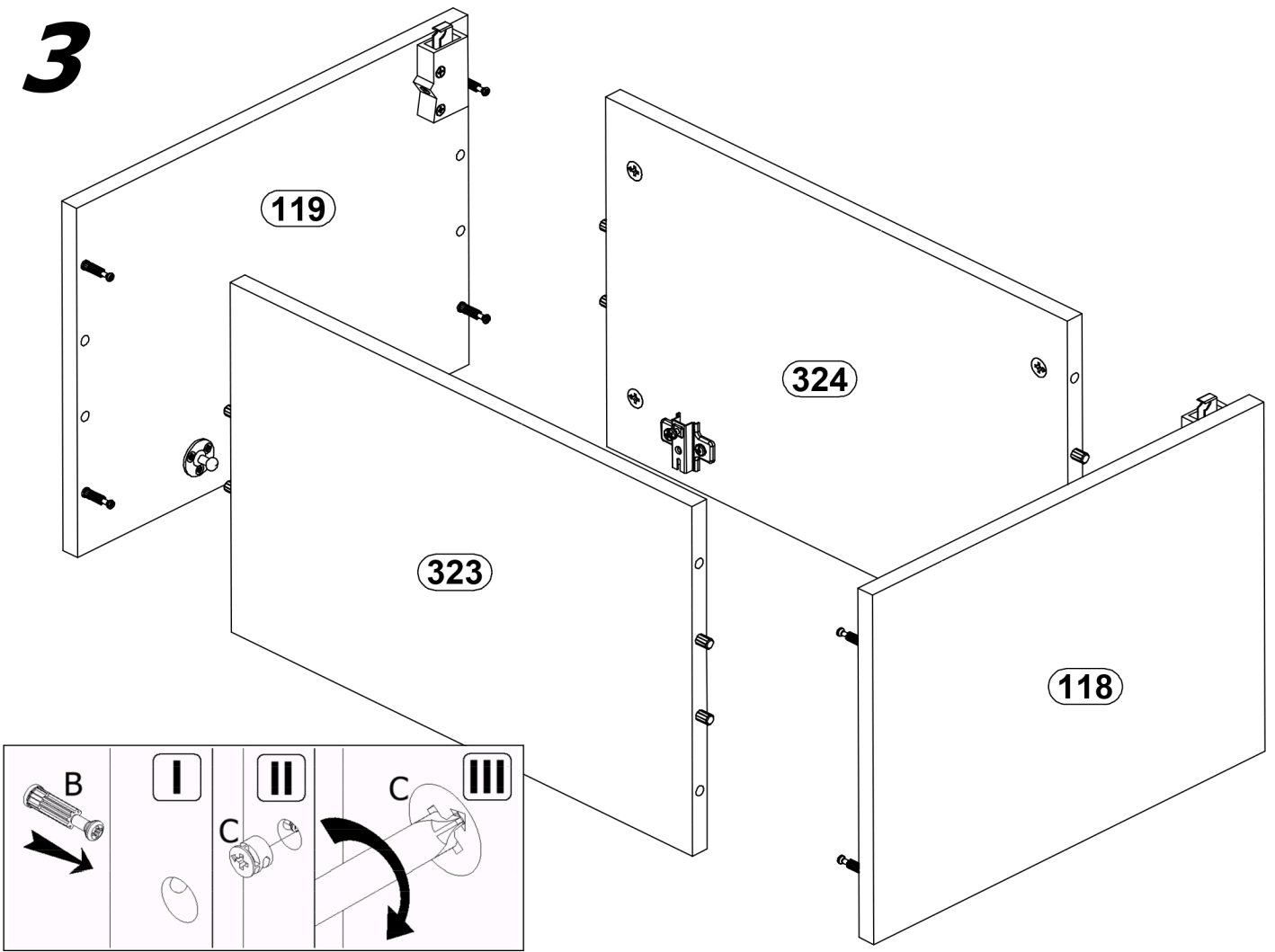
1



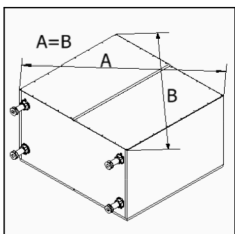
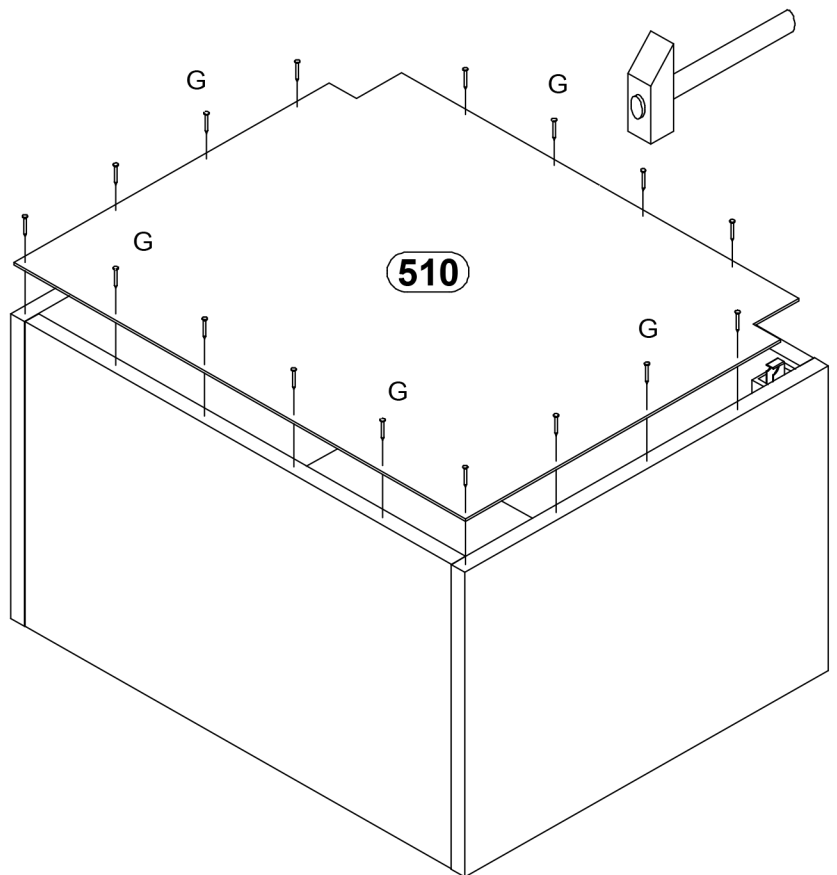
2



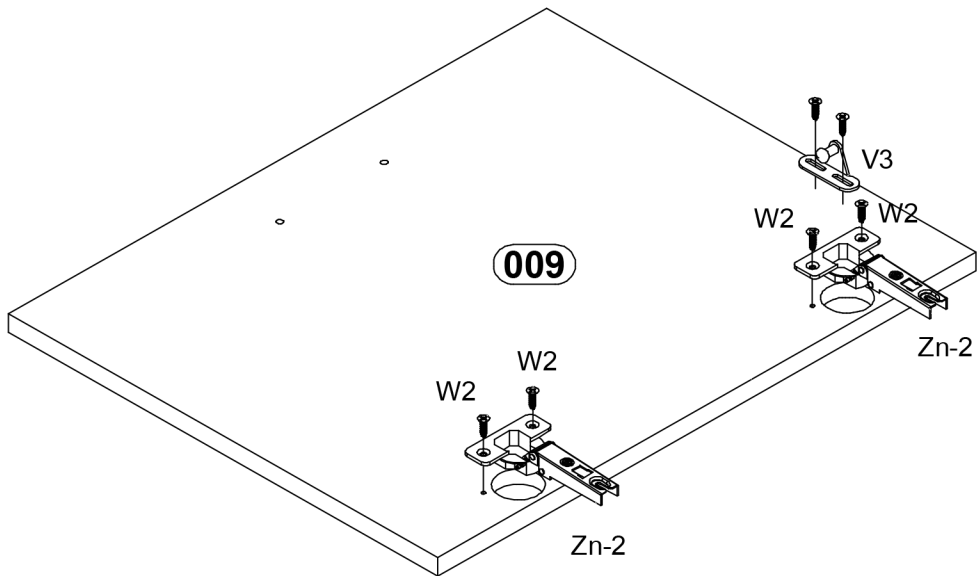
3



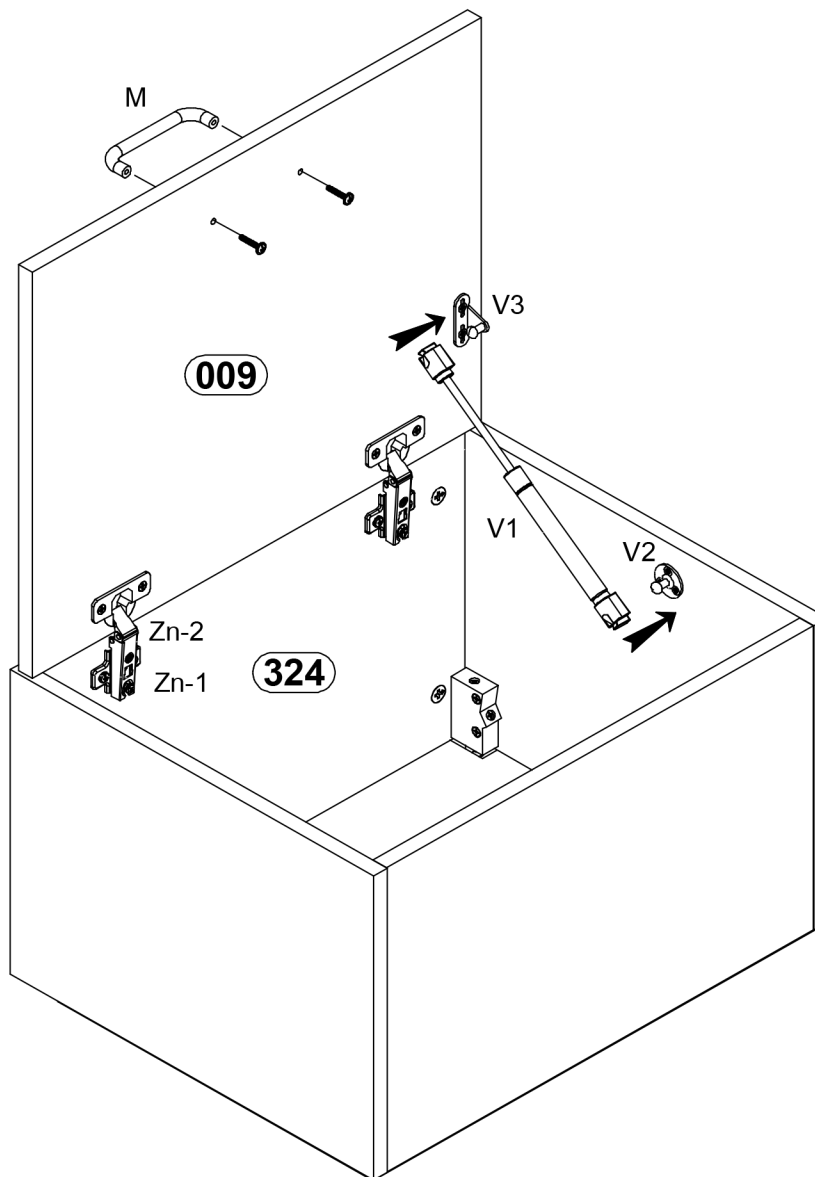
4



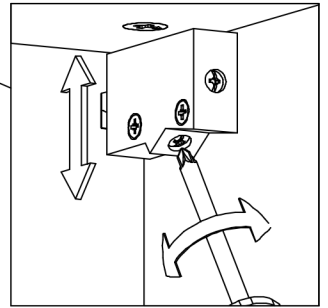
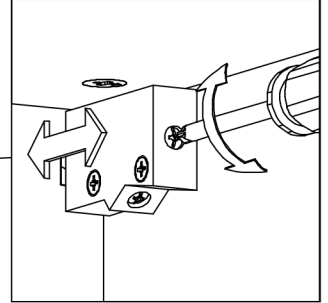
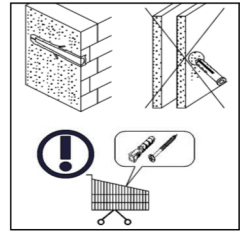
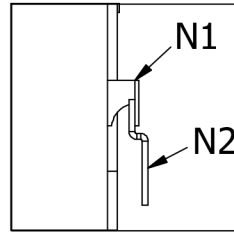
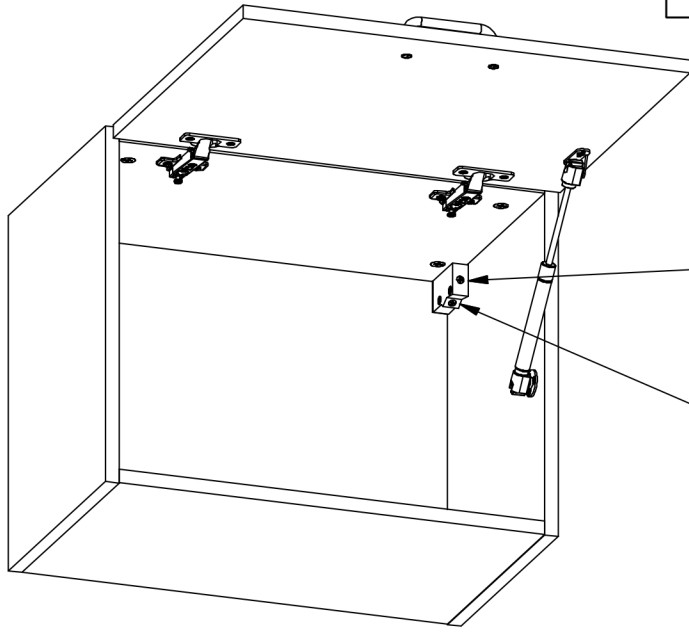
5



6



7



8

